

# CoreStation

Intelligent Biometric Controller



Suprema CoreStation is an intelligent door controller which provides the advantages of a biometric-enabled security over a centralized access control systems. Designed for mid to enterprise-level systems, the CoreStation handles up to 500,000 users with an incredible fingerprint matching speed of upto 400,000 match/sec. With the provisions of high-performance, biometric readiness, Ethernet communication, CoreStation is capable of offering the full features of the BioStar 2 platform. The device provides centralized biometric template management and also interfaces with complete set of reader technologies including RS-485 (OSDP) and Wiegand. With its versatility, CoreStation is a perfect access control solution for both new installations as well as a replacement of existing systems.

**Suprema**  
SECURITY & BIOMETRICS

## Features



### Centralized Biometric Access Control

- Centralized storage of biometric and access group data
- Complete controller functionalities with fingerprint matching
- Multi-port interface for fingerprint/RF readers
  - Supports locks, sensors, RTE, and alarm devices



### Enterprise-level Capacity

- Max 500,000 users (1 million fingerprint templates)
  - 500,000 RF cards/5,000,000 event logs
- High-speed fingerprint matching
  - Max 400,000 match/sec (genuine matching)
- UL 294 Compliant:
  - Highest safety and reliability certified by world-renowned label



### Improved Security

- No Ethernet connection to the door reader
- No data storage at the door reader
- Secured communication between server and CoreStation (TLS 1.2)



### System Flexibility and Scalability

- Controls up to 132 access points with extension modules (DM-20)
- Elevator Control (OM-120)
- Supports OSDP (Open Supervised Device Protocol)



### Fully Compatible with BioStar 2

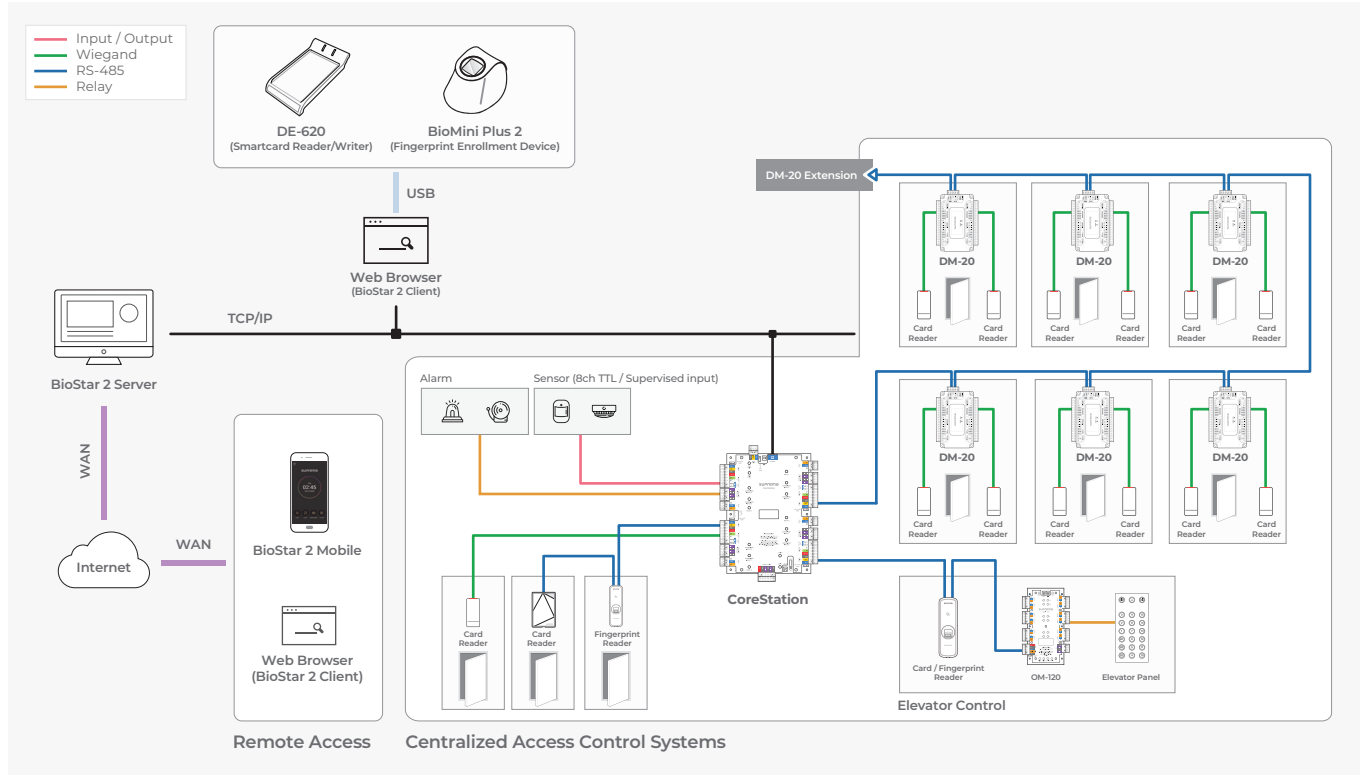
- Easy operation and configuration
- Comprehensive access control and time & attendance functionalities

## Specifications

Model Name	CS40
CPU	1.4 GHz Octa Core
Memory	8 GB Flash + 1 GB RAM
Max. User (1:1)*	500,000
Max. User (1:N)*	100,000
Max. Face User (1:1)*	30,000
Max. Face User (1:N)*	3,000
Max. Logs	5,000,000 (text)
Serial Comm. Protocol	OSDP V2
Ethernet	10/100Mbps, auto MDI/MDI-X
RS-485	5 ch
Wiegand	4 ch input
Relay	4 relays
TTL Input	8 ch (Supervised input selectable)
TTL Output	8 ch
AUX Input	2 ch (AC Power Fail, Tamper)
Operating Temperature	0°C~50°C
Dimensions (WxHxD)	150 x 214 x 21 mm
Power	DC 12 V
Power Output (Reader)	4 ch (DC 12 V)
Certification	CE, FCC, KC, RoHS, WEEE, REACH, UL 294

\* Max. Fingerprint Template: 1,000,000 (1:1), 200,000 (1:N)  
 \* FaceStation 2 and FaceLite are available only

## System Configurations



### Suprema Inc.

17F Parkview Tower, 248, Jeongjail-ro, Bundang-gu, Seongnam-si, Gyeonggi-do, 13554, Republic of Korea  
 T +82 31 783 4502 E sales\_sys@supremainc.com www.supremainc.com



For more information about Suprema's global offices, visit the webpage below by scanning the QR code.  
<https://www.supremainc.com/en/about/contact-us.asp>