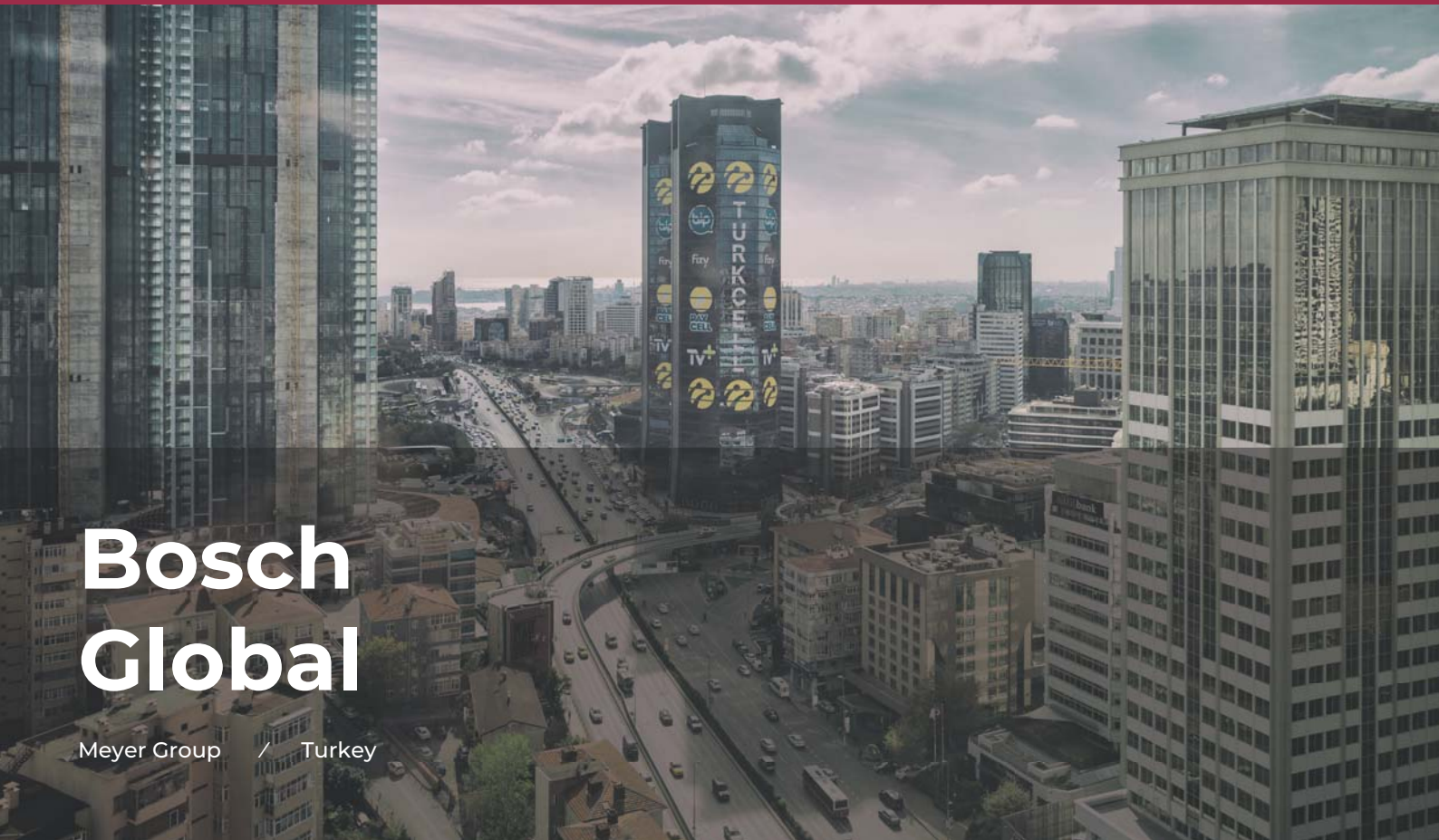


SUPREMA CASE STUDY



Bosch Global

Meyer Group / Turkey

THE CUSTOMER

Bosch Group, a leading supplier of technology and services has invested into Turkey. Turkey became the manufacture and export hub which is also growing in importance as a research and development. The company established factories manufacturing high-pressure injectors for diesel vehicles, located in Istanbul, Bursa, Izmir and Ekirdag, Turkey. Bosch Group operates 4 factories and offices, employees more than one thousands staff.



FAST FACTS

LOCATION

Bosch
/ Istanbul, Bursa, Izmir, Ekirdag, Turkey

YEAR OF COMPLETION

2018

APPLICATION

Access control and
Time & Attendance

TECHNOLOGY

Control panel, RFID, Fingerprint

PROJECT SIZE

10,000 Employees

SUPREMA PARTNER

MEYER Group, Turkey

SOLUTIONS

CoreStation: 250EA
BioStation 2: 120EA
Legic Reader(IDSECO): 600EA
Handheld Reader(M3 Mobile): 15EA

THE CHALLENGE

IT department in Bosch takes its responsibility to provide solid and fast Access Control solutions to its employees in 4 locations. Their existing system was slow enough to raise concern from Bosch management. Another challenge was that all the access points, doors and turnstiles should be controlled by a single system. They also looked for a software that enables Time & Attendance, Canteen Management and Visitor Management at once.

THE SOLUTION

After a series of detailed consultation with Meyer Group, Suprema's valued partner in Turkey, Bosch changed its existing system to Suprema's CoreStation, enterprise-level system control panel with an incredible matching speed of up to 400,000 matches/sec. 250 units of CoreStation were connected to 600 units of Legic readers covering all access points of both door and turnstile in 4 locations. 120 units of BioStation2 fingerprint readers were installed on turnstiles at the entrances. The performance of Suprema solutions is significantly fast and reliable so that thousands of employees are registered and access granted stably without any compromise in performance.

In addition, Meyer, a strong company with engineering, software development and system infrastructure, developed an integration with SAP not only managing Access Control but also Time & Attendance, Canteen Management and Visitor Management through a single software solution.



KEY BENEFITS

1) Faster Processing Time

With the CoreStation performance, matching speed and user capacity, no more time consuming delays for employees during normal hours and even peak hours when entering and exiting.

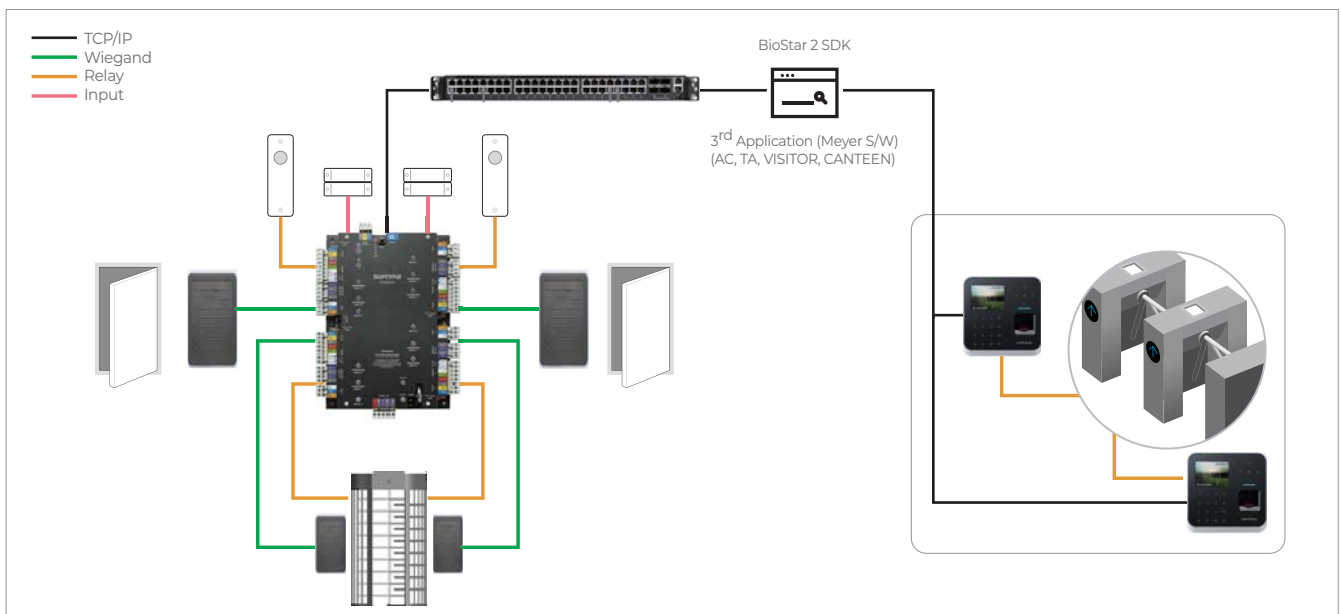
2) Increased safety and productivity

This high quality access control systems improves safety for employees and provides but also provides the company with clear Return on Investment as it saves annual budget for security.

3) Easy Management System

Total management software incorporates a range of features including Access Control, Time & Attendance, Canteen Management and Visitor Management. All can be centrally controlled, managed and monitored easily.

SYSTEM CONFIGURATION



CoreStation Intelligent Biometric Controller

BioStation 2 Fingerprint Time Attendance Terminal