

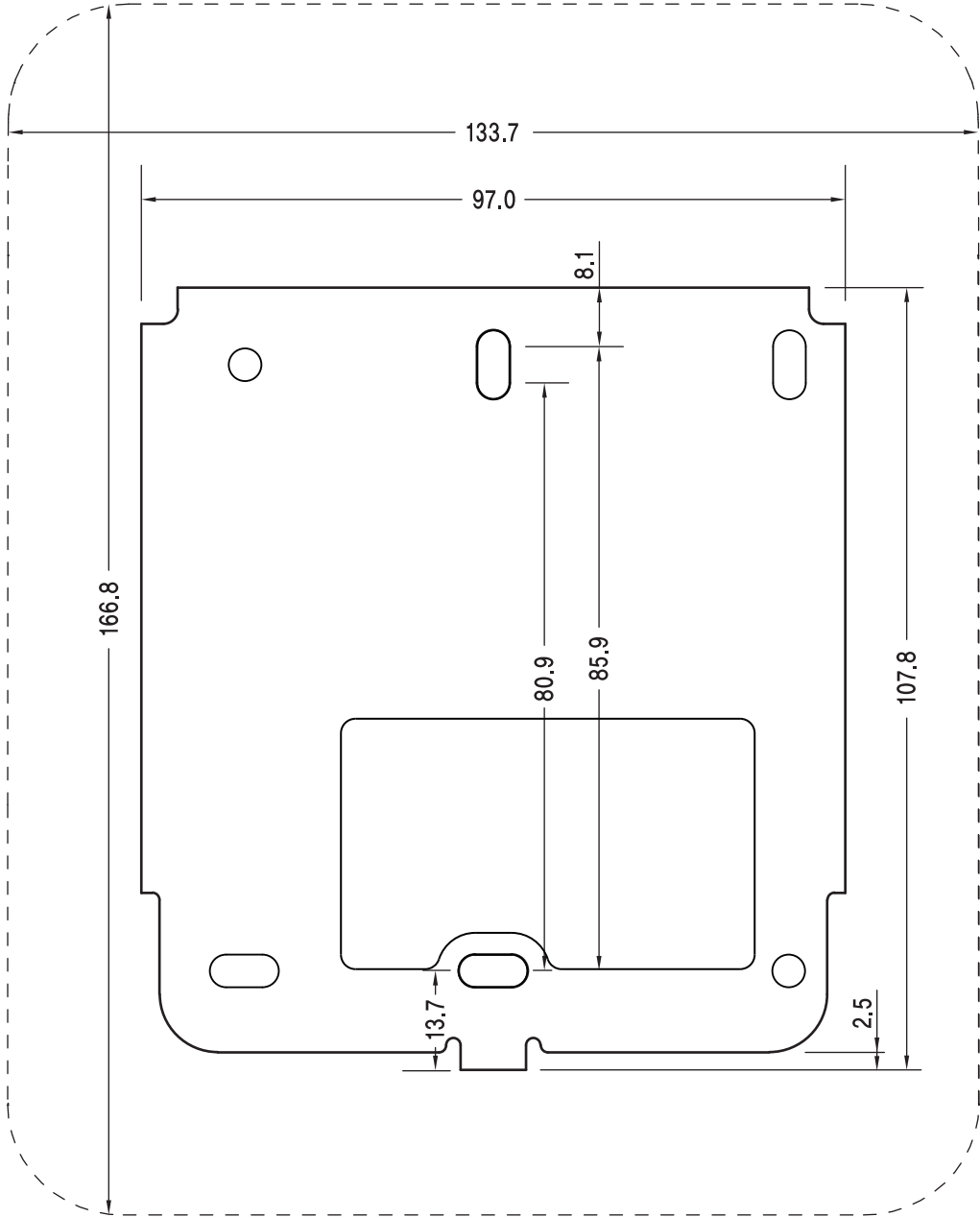
FaceStation

1:1 Scale Drilling Template

Template Instruction.

- 1. Open with Adobe Acrobat Reader.
- 2. Click **File > Print**.
- 3. Select **Actual size**.
- 4. Click **Print**.

DO NOT USE CUSTOM SCALE.



Applicable Model: FSM, FSMW